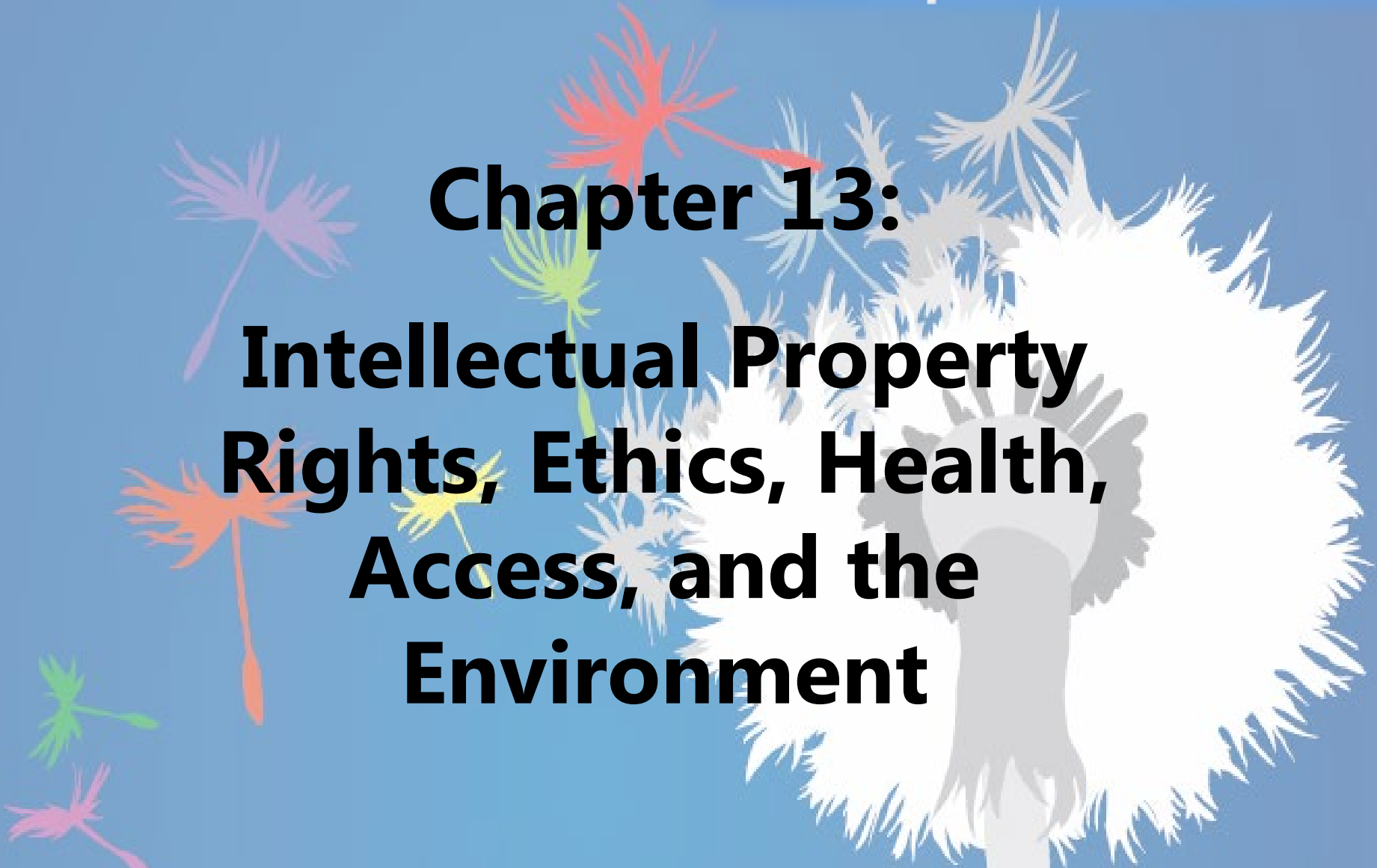


Understanding Computers Today and Tomorrow

Chapter 13:

Intellectual Property Rights, Ethics, Health, Access, and the Environment





Intellectual Property Rights

- Intellectual Property Rights
 - Rights to which creators of original creative works are entitled
 - Who has the right to use, perform, or display a creative work
 - How long the creator retains rights to the property
 - Music, movies, paintings, books of art and poetry, etc.

Protections => Copyrights, Trademarks, Patents, Trade Secrets (not in text), DRM Software, Digital Watermarks, Other Legislation



Copyrights

- Copyrights
 - Protection available to the creator artistic or literary works
 - Lasts 70 years after creator's death
 - Corporate copyrights/anonymous works, lasts 95 years from date of publication or 120 years from date of creation, whichever is shorter
 - Can be registered with U.S. Copyright Office

© 2012 Course Technology, Cengage Learning

ALL RIGHTS RESERVED. No part of this work covered by the copyright herein may be reproduced, transmitted, stored or used in any form or by any means graphic, electronic, or mechanical, including but not limited to photocopying, recording, scanning, digitizing, taping, Web distribution, information networks, or information storage and retrieval systems, except as permitted under Section 107 or 108 of the 1976 United States Copyright Act, without the prior written permission of the publisher.

BOOK COPYRIGHT NOTICES

© 2012 Throw The Fight - All Rights Reserved.

WEB SITE COPYRIGHT NOTICES

FIGURE 16-1
Copyright
statements.




Trademarks

- Trademarks
 - Word, phrase, symbol, or design that identifies goods or services
 - Trademark that identifies service => service mark
service marks not registered may use the sm mark
 - Trademarks claimed but not registered use the TM mark
 - Registered trademarks use the [®] mark
 - Includes protection for domain names
 - Cybersquatting and typosquatting
 - Domain name disputes can be brought to the World Intellectual Property Organization (WIPO)

Patents

- Patents
 - Protect inventions
 - Last for 20 years
 - Can also protect a business practice or procedure
 - Priceline.com's name-your-own-price
 - Amazon.com's one-click purchase
 - Expensive and difficult to obtain but can be very lucrative

Courtesy of the Office of the Chief Communications Officer, United States Patent and Trademark Office



US00D646252S

(12) **United States Design Patent** (10) Patent No.: **US D646,252 S**
 Kim et al. (45) Date of Patent: **Oct. 4, 2011**

(54) **MOBILE PHONE** D618,200 S * 6/2010 Kim et al. D14 138 AD
 D619,989 S * 7/2010 Hwang D14 138 G
 D621,378 S * 8/2010 Kim et al. D14 138 AD
 D626,183 S * 11/2010 Kim et al. D14 138 G
 D629,377 S * 12/2010 Imbervicini D14 138 G
 D629,776 S * 12/2010 Lee et al. D14 138 AD
 D631,464 S * 1/2011 Kim D14 138 G
 D631,864 S * 2/2011 Jung D14 138 AB
 D631,070 S * 2/2011 Tang D14 138 G
 D636,368 S * 4/2011 Kim D14 138 AD
 2006-0205451 A1* 9/2006 Pan 455-575.4
 2009-0601965 A1* 3/2009 Miyosaka 455-575.4
 2010-0909464 A1* 4/2010 Kim 455-566
 20100221152 A1* 9/2010 Cho et al. 715-765
 2011-0117969 A1* 5/2011 Hansen 455-566

(75) Inventors: **Bo-Ra Kim, Seoul (KR); Yun-Jung Lee, Hwasong-si (KR); Chang-Hwan Hwang, Seongnam-si (KR)**

(73) Assignee: **Samsung Electronics Co., Ltd., Suwon-Si (KR)**

(**) Term: **14 Years**

(21) Appl. No.: **29/381,712**

(22) Filed: **Dec. 22, 2010**

(30) **Foreign Application Priority Data**
 Oct. 11, 2010 (KR) 30-2010-0044056

(51) **LOC (9) Cl.** D14-03
 (52) **U.S. Cl.** D14138 AD; D14138 G
 (58) **Field of Classification Search** D14138 R, D14138 AD, 138 AC, 138 C, 138 G, 191, D141203.1-203.8, 496, 138 AA, 138 AB, D14137, 147, 218, 341, 347, 247-248, D10165, D1078, 104, D13168, D187, 455/566, 455/575.1, 575.3, 575.4
 See application file for complete search history.

(56) **References Cited**
U.S. PATENT DOCUMENTS
 D548,713 S * 8/2007 Lee et al. D14 138 AD
 D558,729 S * 1/2008 Lee et al. D14 138 AD
 D581,884 S * 12/2008 Kim D14 138 G
 D601,539 S * 10/2009 Hwang D14 138 G
 D601,993 S * 10/2009 Yun et al. D14 138 AD
 D603,356 S * 11/2009 Sztrank et al. D14 138 G
 D607,805 S * 1/2010 Lee et al. D14 138 AD
 D608,311 S * 1/2010 Kim et al. D14 138 AC
 D611,974 S * 3/2010 Ooi et al. D14 138 AD
 D615,519 S * 5/2010 Kim et al. D14 138 G
 D616,859 S * 6/2010 Hwang D14 138 G

OTHER PUBLICATIONS
 Acer M900, announced Feb. 2009, [online], [retrieved on Oct. 28, 2009]. Retrieved from Internet <URL: http://www.gsmarena.com>*

(Continued)
Primary Examiner—Bridget L. Eland
(74) Attorney, Agent, or Firm—Stuss & Halsey LLP

(57) **CLAIM**
 The ornamental design for a mobile phone, as shown and described.

DESCRIPTION
 FIG. 1 is a front perspective view of a mobile phone;
 FIG. 2 is a front view of the mobile phone of FIG. 1;
 FIG. 3 is a rear view of the mobile phone of FIG. 1;
 FIG. 4 is a left-side view of the mobile phone of FIG. 1;
 FIG. 5 is a right-side view of the mobile phone of FIG. 1;
 FIG. 6 is a top plan view of the mobile phone of FIG. 1;
 FIG. 7 is a bottom plan view of the mobile phone of FIG. 1;
 and,
 FIG. 8 is an open front perspective view of the mobile phone of FIG. 1.

1 Claim, 8 Drawing Sheets

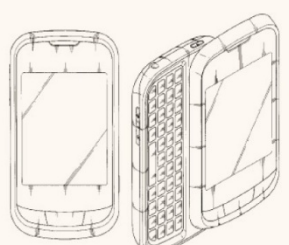


FIGURE 16-4
Patents. The patent shown here is for a new mobile phone.



Trade Secret (not in text)

- Trade secrets are intellectual property
 - May be formulas, practices, processes, designs, instruments, etc.
 - Not generally known to the public
 - Has economic benefit
 - Holder makes efforts to maintain secrecy



Extra Protections

- Protections
 - Digital Watermarks
 - Subtle alteration of digital content
 - not noticeable
 - identifies the copyright holder
 - Digital Rights Management (DRM) Software
 - Protects and manages the rights of creators of digital content such as art, music, photographs, movies
 - Limits who can view, print, or copy a document
 - Control use of downloaded content
 - number of devices a file can be copied to
 - expiration of video-on-demand movie, etc.



Related Legislation

- Additional legislation to protect intellectual property rights, such as:
 - Family Entertainment and Copyright Act of 2005 (FECA)
 - U.S. Anticybersquatting Consumer Protection Act
 - Digital Millennium Copyright Act (DMCA)
 - Protects Website content



Ethics – Definition/Classifications

- Ethics
 - Overall standards of moral conduct
 - Vary with individual and religious beliefs, country, race, or culture
 - Personal Ethics
 - Guide an individual's personal behavior
 - Business Ethics
 - Guide a business's policies, decisions, and actions
 - Computer Ethics
 - Concern moral conduct related to computer use
- Ethical legislation is difficult to pass
 - The 1998 amendment to Section 508 of the Rehabilitation Act requires federal agency information be accessible to persons with disabilities

Personal Ethical Use

- Ethical Use of Copyrighted Material
 - Books and Web-based articles
 - Need to properly credit sources to avoid plagiarism
 - Strict consequences for plagiarism
 - Online tests for plagiarism are available and widely used by schools

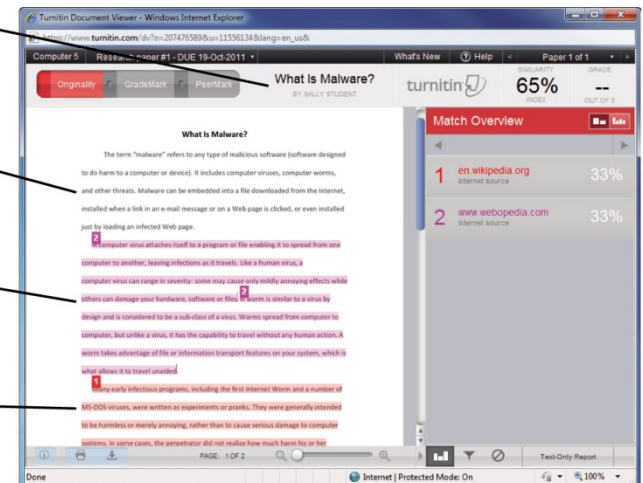
FIGURE 16-6
Results of an online
originality test.

Instructor submits electronic versions of student papers; the results are usually available online almost immediately.

The black text was correctly identified as being original.

The purple text was correctly identified as being taken from a Wikipedia online article.

The red text was correctly identified as being taken from a Webopedia.com definition.





Academic Dishonesty - Plagiarism

PLAGIARISM

A student including a few sentences or a few paragraphs written by another author in his term paper without crediting the original author.

A newspaper reporter changing a few words in a sentence or paragraph written by another author and including the revised text in an article without crediting the original author.

A student copying and pasting information from various online documents to create her research paper without crediting the original authors.

A teacher sharing a poem with a class, leading the class to believe the poem was his original work.

NOT PLAGIARISM

A student including a few sentences or a few paragraphs written by another author in his term paper, either indenting the quotation or placing it inside quotation marks, and crediting the original author with a citation in the text or with a footnote or endnote.

A newspaper reporter paraphrasing a few sentences or paragraphs written by another author without changing the meaning of the text, including the revised text in an article, and crediting the original author with a proper citation.

A student copying and pasting information from various online documents and using those quotes in her research paper either indented or enclosed in quotation marks with the proper citations for each author.

A teacher sharing a poem with a class, clearly identifying the poet.

FIGURE 16-5
Examples of what is and what is not normally considered plagiarism.



Music

- Music
 - Debate began with Napster
 - DRM controls can impact downloaded files, purchased CDs, etc.
 - Concerns still exist about P2P file sharing sites
 - Downloading a music file from a P2P site without compensating the artist and record label is violation of the copyright law and an unethical act

eBooks

— E-books

- In 2011, sales of e-books at Amazon.com exceeded print books
- Piracy of e-books is growing quickly

FIGURE 16-7
Legal e-books are widely available online.

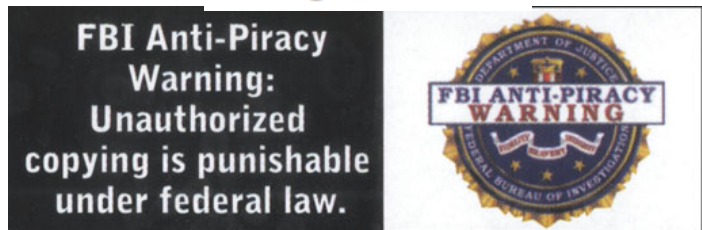


Movies

- Movies
 - Movie piracy is high (illegal copies, recording pre-release movies to create DVDs, etc.)
 - Distributing bootleg copies of movies is illegal and unethical
 - Often happens via the Internet
 - FBI Anti-Piracy Seal is used with movie DVDs, music CDs, and other intellectual properties commonly pirated

FIGURE 16-8

The FBI Anti-Piracy Warning seal.





Digital Rights Management (DRM)

- DRM controls are found on many legally downloaded movies
 - Can prevent movie from being copied to another medium
 - Can allow movie to be used only for a specified period of time
- MPAA (Motion Picture Association of America) recently began pursuing civil litigation for copyright violations for against movie pirates
 - Mainly goes after those who create illegal DVDs
 - Also pursues people sharing movies illegally on the Internet



Resources – Ethical Use

- Ethical Use of Resources and Information
 - Ethical Use of School or Company Resources
 - Code of Conduct
 - Policy that specifies allowable use of resources by students or employees
 - Students and employees should be familiar with what is considered acceptable
 - Code of Ethics
 - Policy, typically for an industry or organization, that specifies overall moral guidelines adopted by that industry or organization
 - Whistleblowers have some protection under the law



Resume Padding

- Résumé padding is considered unethical by most companies
 - Many companies will terminate employees who were hired based on falsified résumés or applications
 - Other possible consequences include blacklisting from a industry or being sued for breach of contract



Digital Manipulation

- Digital Manipulation
 - Digitally altering text, images, photographs, music, and other digital content
 - Copyright concern
 - Can be used to misquote people, repeat comments out of context, create false or misleading photographs
 - Some beneficial ethical uses (aging photos of runaways and missing children, altering photos of wanted criminals, etc.)
 - Use by media is more controversial
- Recommend exploration of YouTube DeepFake videos



Business Ethics & Reporting

- Ethical Business Practices and Decision Making
 - Fraudulent Reporting and Other Scandalous Activities
 - Sarbanes-Oxley Act of 2002
 - Includes provisions to improve the quality of financial reporting, independent audits, and accounting services for public companies
 - Ethically Questionable Products or Services
 - Decisions regarding selling products or services some individuals find objectionable
 - How, if at all, should businesses that allow users to upload content to their Web sites monitor the content posted



Ethics

- Censoring & Misinformation
- Vaporware
 - Announced products that do not exist
- Workplace Monitoring
 - Inform employees of the types of monitoring that may occur
 - Especially in countries other than the United States

Cultural Ethics

– Cultural Considerations

- Ethics vary within a country as well as from country to country
- Some acts may be socially acceptable or ethical in one country but not another
- Laws also vary from country to country
- Individuals and businesses need to consider both legal and ethical issues in global transactions
- Some business schools and corporations are including diversity and cross-cultural training

FIGURE 16-14

Cultural considerations.

In some countries, bootleg copies of music CDs and movie DVDs are sold openly, such as this DVD seen recently at a store in China.



Image courtesy of AP Images

Computers and Health

- What is Ergonomics?
 - The science of fitting a work environment to the people who work there
 - Using good workspace design principles can help avoid physical problems

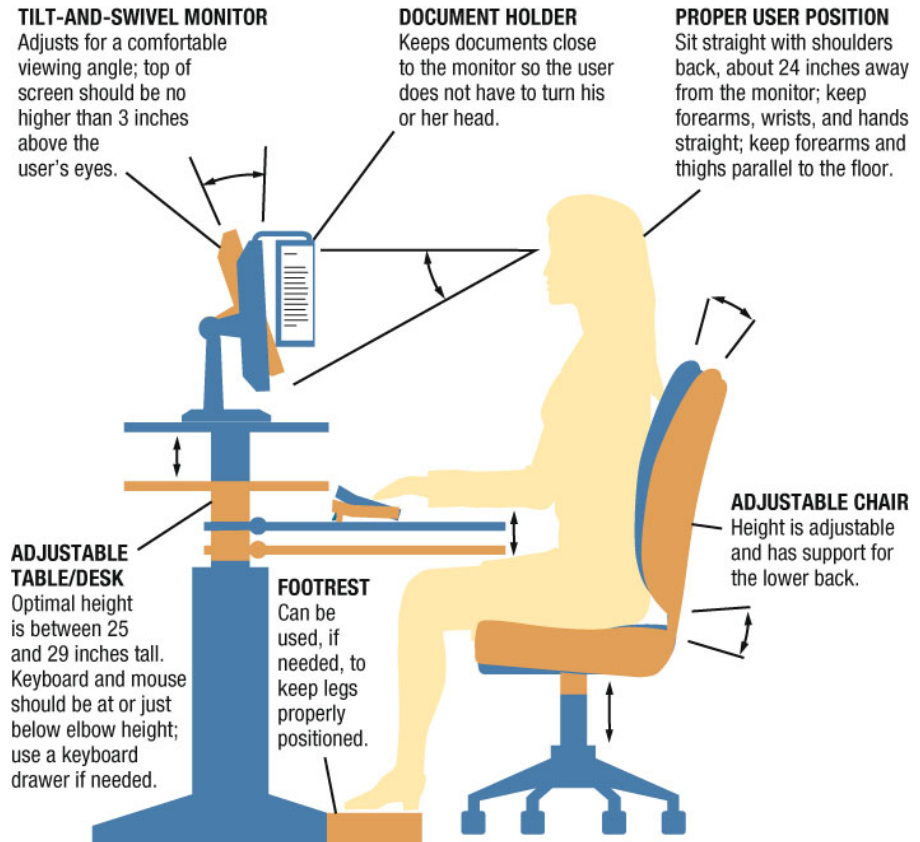


FIGURE 16-16
Workspace design.



Physical Health

- Physical Health
 - Computer use can cause physical injuries
 - Computer vision syndrome (CVS)
 - Eyestrain
 - Blurred vision
 - Fatigue
 - Headaches
 - Back, wrist and finger pain
 - Repetitive Stress Injury (RSI)
 - Carpal tunnel syndrome (CTS) (keyboard use)
 - DeQuervain's tendonitis (mobile device keyboard and thumbpad use)



Emotional Health

- Emotional Health
 - Stress of Ever-Changing Technology
 - Knowledge of and ability to use technology is becoming a necessity in many jobs
 - Technology changes at a rapid pace
 - Workers must regularly learn new skills which can create stress for many individuals

24/7/365 expectations

- Impact of our 24/7 Society
 - Ability to be in touch constantly can be a source of great stress for some people
 - “On call 24/7” and can never get away
 - Hard to relax when on vacation and available 24/7



FIGURE 16-22

Our 24/7 society.

With mobile phones and portable computers, many individuals are available 24/7.



Technology Addiction

- Internet and Technology Addiction
 - Problem of overusing, or being unable to stop using, the Internet
 - Interferes with normal living
 - Causes severe stress to family and other loved ones



Access to Technology

- The Digital Divide
 - The gap between those who have access to technology and those who don't
 - Can have digital divide within a country, as well as between countries
 - The U.S. Digital Divide
 - Differences in technology use by income, race, geographical area, education, broadband Internet use, etc.
 - Reducing the U.S. digital divide is important to ensure all citizens have an equal chance of being successful
 - Some people choose not to use technology



Assistive Technology

- Assistive Technology
 - Hardware and software designed for use by individuals with physical disabilities
 - Much improvement in assistive technology has occurred in recent years
 - Demand from disabled individuals and disability organizations
 - American with Disabilities Act
 - Requires companies with 15 or more employees to make reasonable accommodations for known physical or mental limitations of otherwise qualified individuals, unless doing so results in undue hardship for the company



Technology Acceptance Model (TAM)

- Assessing Accessibility/Assistive Tech/etc.
- Perceived Ease of Use (PEU)
 - If it is easy/straightforward, users will adopt and use
 - E.g. iPad
- Perceived Usefulness (PU)
 - If it is useful, certain users will adopt regardless of PEU
 - CAD has steep learning curve but professionals will learn and adopt



Green Computing

- Green Computing
 - The use of computers in an environmentally friendly manner
 - Energy consumption and heat are key concerns today
 - ENERGY STAR Program
 - Developed to encourage the development of energy-saving devices
 - Eco-labels also used in other countries

FIGURE 16-29
Eco-labels.



UNITED STATES



EUROPEAN UNION



KOREA



BRAZIL



AUSTRALIA



Green Computing - Power

- Energy Consumption and Conservation
 - Power consumption and heat generation by computers are key concerns for businesses
 - More powerful computers use more energy and run hotter, which makes increases cooling costs
 - Servers are especially power-hungry
 - Energy-saving tactics
 - Consolidating servers
 - Powering down computers when not in use
 - Using desktop virtualization
 - Using cloud computing



Alternate Power

- Alternate Power
 - Solar power
 - Solar panels convert sunlight into direct current (DC) electricity, which is then stored in a battery
 - Solar panels to be built into covers of notebook computers will be both solar-powered and hand-powered chargers and can be used with portable computers, mobile phones, and other small portable devices
 - Portable fuel-cell chargers



Recycling

- Recycling and Disposal of Computing Equipment
 - Paper-based trash
 - Paperless office basically a myth
 - Almost one-billion pieces of paper a year generated by printers world wide
 - Utilities designed to reduce paper consumption
 - GreenPrint, PrintWhatYouLike.com
 - » Eliminate images, blank pages, non-critical content in order to print on the least amount of paper as possible



Recycling

- Proper recycling is essential
 - Some recycling centers will accept computer equipment
- Many computer manufacturers have voluntary take-back programs
- Expired toner and ink cartridges can sometimes be returned to manufacturer or exchanged when purchasing new cartridges
- Using recharged printer cartridges saves consumers' money and helps reduce e-waste in landfills



Summary

- Intellectual Property Rights
- Ethics
- Computers and Health
- Access to Technology
- Environmental Concerns
- Related Legislation